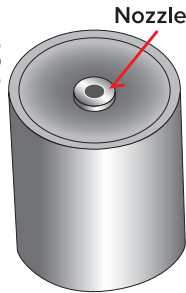


JETFLAME®

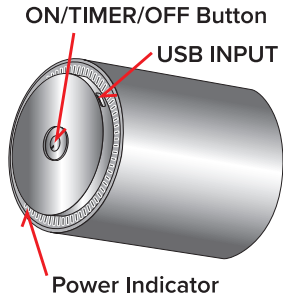
rechargeable faux fire décor

MODULE

TOP

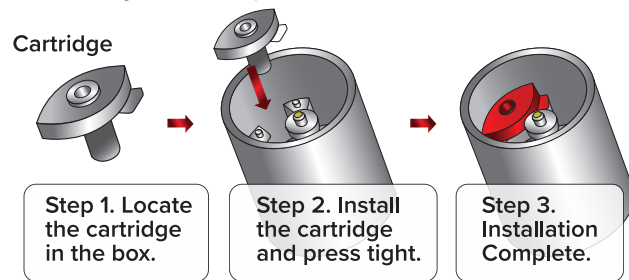


BOTTOM



STEPS TO USE

1. Unpack the machine and all accessories, Install the cartridge according to below steps:



4. Place the lid back on JetFlame® device and push the button switch at the bottom to turn ON. Allow 5 seconds for your JetFlame® device to activate the Flame effect.

5. To turn ON press the ON button once, will stay on until turned OFF. For TIMER function, push the ON button twice, the LED light will flash twice, indicating the TIMER function is activated. The TIMER function is 3 hours ON and 21 hours OFF. When ON, to turn OFF, press the ON button once.

WHEN TO CHARGE POWER

Highly recommended to have your JetFlame device OFF when charging to assure the longevity of your battery life, similar to charging a cell phone.

5. Due to this device using enclosed water, we recommend emptying the remaining water when not in use to avoid bacteria growing. This is to assure the best performance.

6. Sponge stick can dry out if the JetFlame is not used for a long period of time. If JetFlame device is not functioning please fill the device with water to the 'MAX' fill level and wait about 5-10 minutes, allowing the sponge stick to absorb the water. If the machine is still not functioning properly, then please replace sponge stick (6 replacements included).

7. Be sure to keep water away from power cord and plug, it could rust and will cause your device to short circuit.

8. We do not recommend using the JetFlame® device under direct sunlight or rain. For optimal use we recommend indoor or covered outdoor areas.

PACKING LIST

(1) JetFlame Device (including lid), (1) Cartridge,
(1) Sponge Stick Installed (6) Sponge Stick Replacements,
(1) Power Cord (1) User Manual.

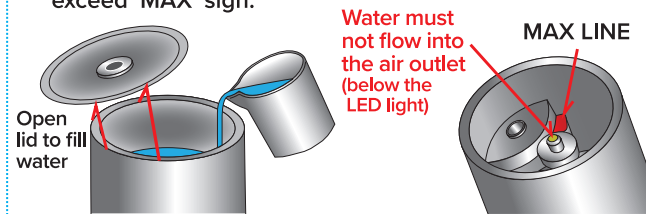
The lifespan for each sponge stick sticks is around 3-6 months, dependent on frequency and water quality.

Technical Data:

1. Charging Time: 4 HOURS
2. Time usage once fully charged: 15 HOURS

2. Charge the JetFlame device by connecting the included power cord to a USB adapter (not included). Charging indicator will light red at the bottom, alerting its charging, when full charged indicator light turns green.

3. Remove the lid and fill water. Water level MUST NOT exceed 'MAX' sign.



When you notice the flame height getting lower OR your JetFlame® device turns off automatically, this will indicate the device needs to be charged.

IMPORTANT NOTICES:

1. Please read the user manual provided to assure you the user if properly using your JetFlame® device.

2. Universal USB Adapter (5V/2A) is required to charge your JetFlame® device (not included).

3. USE FILTERED WATER ONLY.

4. When user has added the filtered water to the MAX fill line, DO NOT shake your JetFlame® device.

9. JetFlame® will work best in darker environments. Please note wind and light will affect the visual flame effect.

10. USE the included replacement Filter sticks ONLY, when you need replacements, please visit www.illure.com for information on where to purchase.

11. Do not cover the bottom of the JetFlame® device, if fan is blocked this will influence the flame effect to not emit. Recommended when your JetFlame® device is not in use, empty all water from unit.

12. Water shortage protection: JetFlame® device will automatically shut off in 2 seconds when run out of water.

Dear Valued Customers,

Thank you for purchasing the JetFlame® rechargeable faux fire tabletop décor product. For the best performance, please read the instructions inside.

Thank you for choosing our product.

NOT RECOMMENDED, COULD VOID WARRANTY:

1. Do NOT fill with essential oil or other fragrances.
2. Do NOT fill water over the 'MAX' sign, otherwise device may stop working. When water level is higher than 'MAX', it will overwhelm atomizer first and stop working. When water overwhelms the LED, water will flow out from the bottom.
3. Do NOT use unfiltered water, it will disrupt the flame and shorten the service life of your JetFlame® device.
4. To avoid electric shock please be aware when plugging in your JetFlame® device.

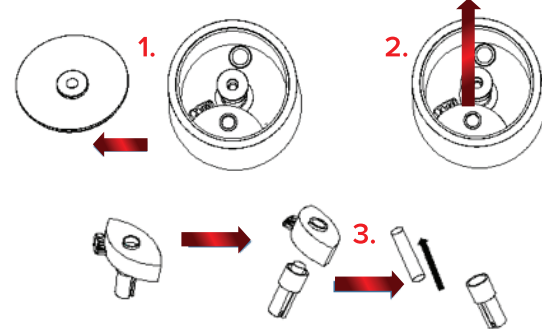
MAINTENANCE

1. Water quality will affect the lifespan of the JetFlame® sponge stick. We suggest replacing the sponge stick every 3-6 month for optimal performance. To replace sponge stick, please unplug if plugged in, shut off your JetFlame® device and pour all water out. Please see diagram below for further details.

STEPS FOR REPLACING SPONGE STICK (see 1, 2, 3 diagram)

1. Remove the lid
2. Using your fingers pull out the cartridge, be careful not to scratch the LED holder.
3. Remove the used sponge stick
4. Replace with a new sponge stick, recommend to submerge new sponge stick in filter water for 5 minutes.
5. Place new sponge stick in cartridge pressing the tube and cap tight to assure closed.
6. Install cartridge back in the JetFlame device.

REPLACE SPONGE STICK



LIMITED WARRANTY

Your JetFlame® module is guaranteed to be free from manufacturing defects for a period of ninety (90) days from the date of purchase. We will replace your defective JetFlame® module with the same or similar item. This warranty does not cover damage due to neglect, misuse, exposure to excessive heat or improper battery installation. Please contact us by e-mail at mail@illure.com for warranty information. Proof of purchase is required.

GENERAL CARE

1. Highly recommended to have your JetFlame device powered OFF when charging to assure the longevity of your battery life, similar to charging a cell phone.
2. Turn off your JetFlame® Device and unplug if plugged in.
3. Use a wet paper towel or tissue to gently wipe out the atomizer, water tank, and other components. Vinegar is safe to use if preferred.
4. Do not submerge any part of your JetFlame® device, excluding the water fill area and sponge stick, with water as this would cause the device to stop working.

CAUTION

Your JetFlame® module is flammable. Do not attempt to light. Doing so could result in personal injury or damage to the light and electrical components. Your JetFlame® module is intended for Indoor use. Keep away from heat sources and out of extreme temperatures. Doing so may result in damage to the components and will void the warranty. The JetFlame® module is breakable. Dropping can break or damage the module and can also damage internal components, voiding the warranty.

This product contains small parts, which, if removed, can pose a choking hazard. Keep away from small children.

TROUBLESHOOTING

1. If your device's LED light is lit up but there is no mist, check whether the water has exceed the MAX line. If it is over, take out some water until it is at the correct level.
2. Check whether the cartridge has been installed properly. If it isn't installed properly, re-install.
3. If your device shuts off after 3 hours, it could be because the timer function was activated. Turn off and then on again.
4. If flame effect is low but fully charged, remove sponge stick, rinse off, re-install rinsed sponge stick, and turn ON. If flame is still not working properly discard old sponge stick and replace with new sponge stick. Recommended to submerge a new sponge stick in filter water for 5 minutes before installing.

FCC COMPLIANCE

NOTE: This device has been tested and found to comply with the limits for a class B digital device pursuant to part 15 of the FCC rules. These limits are designed to provide reasonable protection against harmful interference in a residential installation. The device generates, uses, and can radiate radio frequency energy and, if not installed and used in accordance with the instructions, may cause harmful interference to radio communications. There is no guarantee that interference will not occur in a particular installation. If this device does cause harmful interference to radio or television reception, which can be determined by turning this device off and on, the user is encouraged to try to correct the interference by one or more of the following measures:

- Reorient or relocate the receiving antenna.
- Increase the distance between this device and the receiver.
- Connect the equipment into an outlet on a circuit different from that to which the receiver is connected.
- Consult the dealer or an experienced radio/TV technician for help.

This device complies with part 15 of the FCC rules. Operation is subject to the following conditions: (1) This device may not cause harmful interference, and (2) This device must accept any interference received, including interference that may cause undesired operation.

WARNING

Changes or modifications not expressly approved by the party responsible for compliance could void the user's authority to operate the equipment.